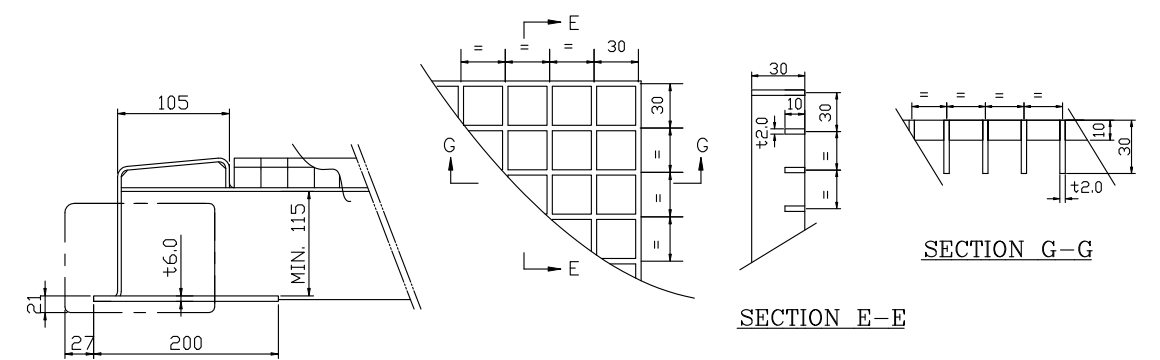
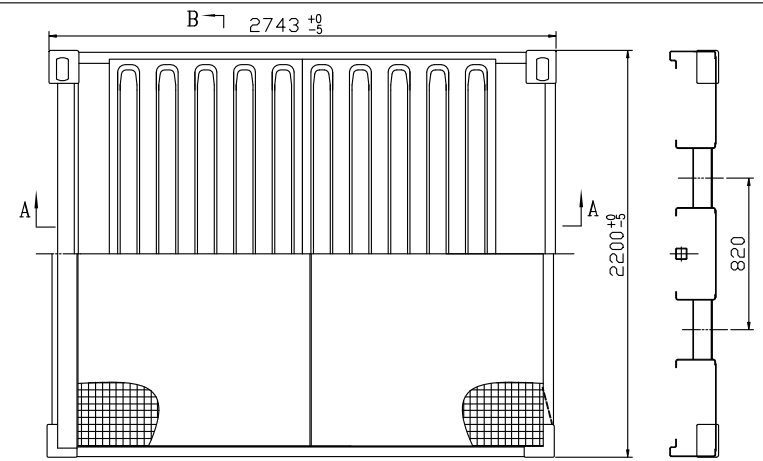
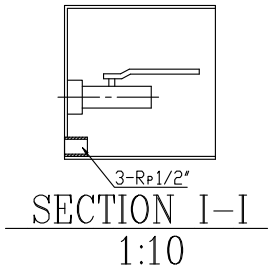
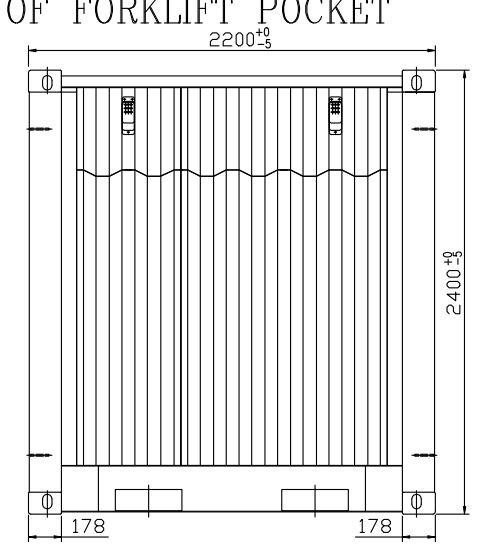
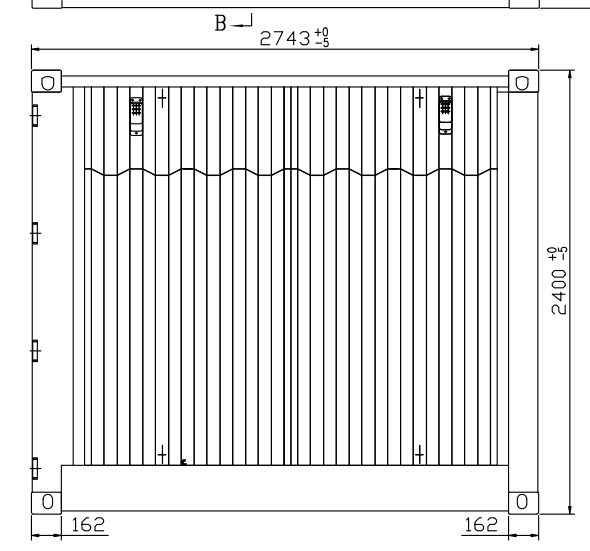
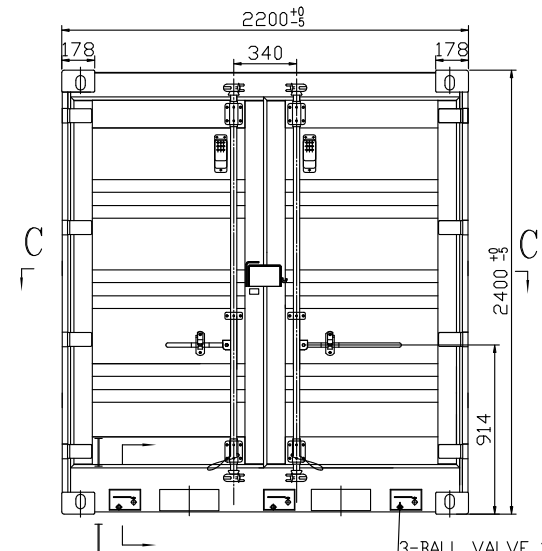


PART NAME		MATERIAL	REMARK
FRAME	SIDE RAIL	SS400	
	END RAIL	SS400	
	CORNER POST	SS400	
	CROSS MEMBER	SS400	
PANEL	DOOR	SS400	
	ROOF	SS400	
	SIDE	SS400	
	FRONT	SS400	

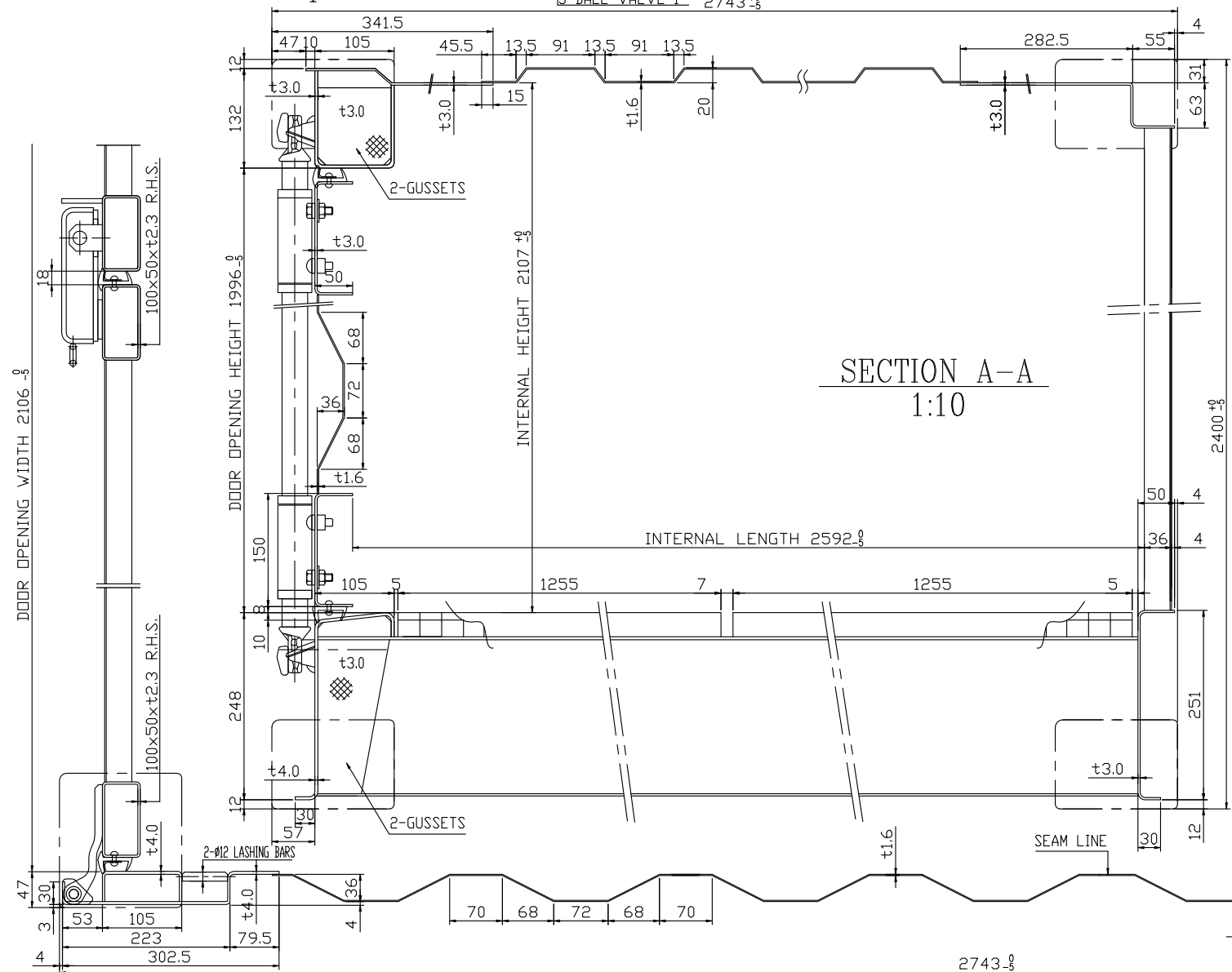


DETAIL OF FORKLIFT POCKET

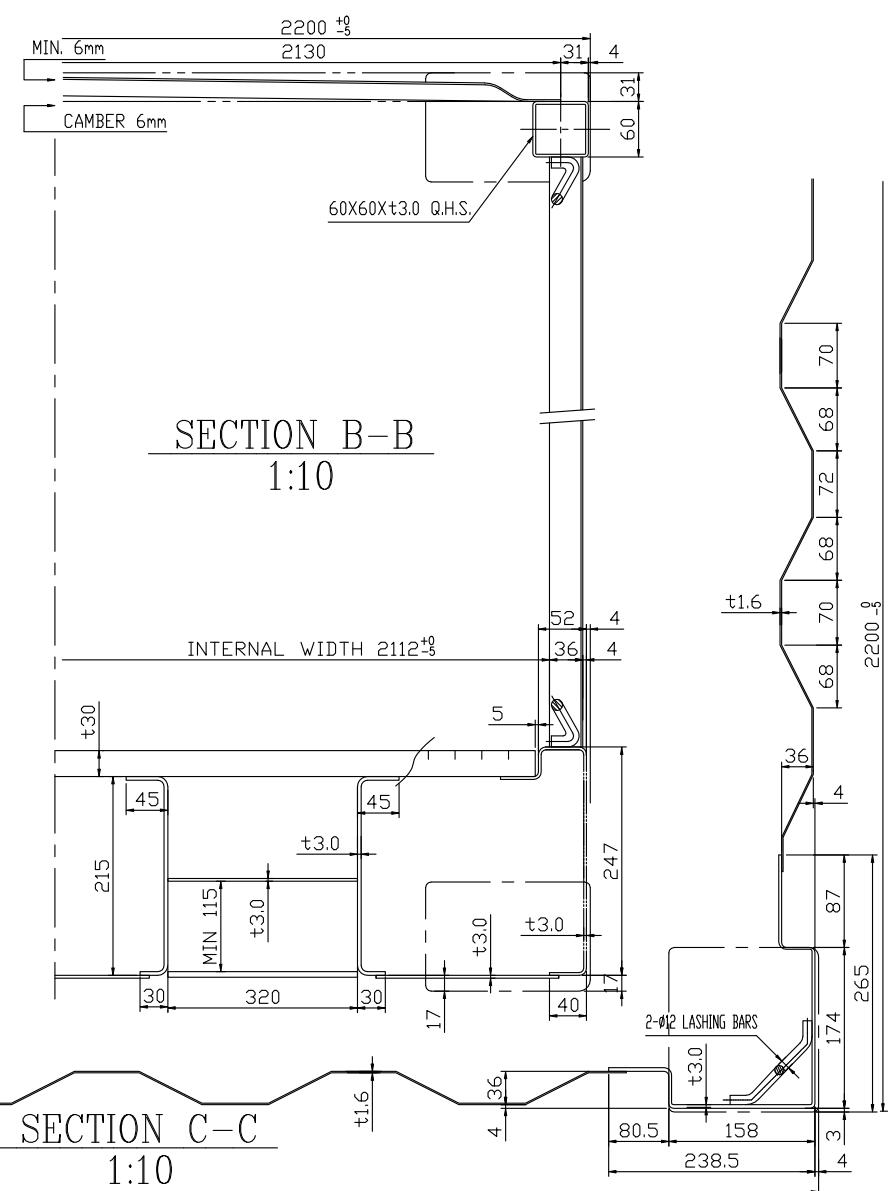
DETAIL OF STEEL GRATING PANEL



SECTION I-I
1:10



SECTION A-A
1:10



SECTION B-B
1:10

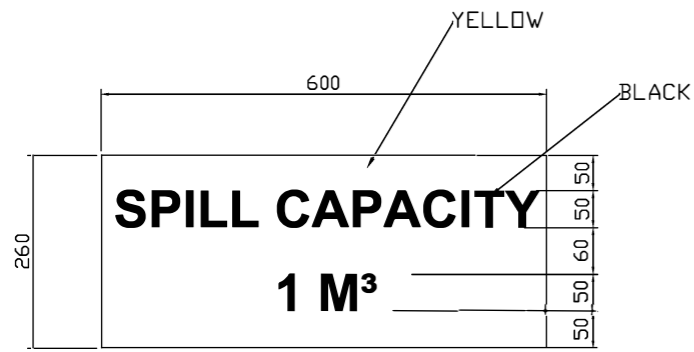
CLASSIFICATION		DIMENSION			
EXTERNAL	LENGTH	2,743	+0 -5mm	9' 0"	+0 -3/16"
	WIDTH	2,200	+0 -5mm	7' 2 5/8"	+0 -3/16"
	HEIGHT	2,400	+0 -5mm	7' 10 1/2"	+0 -3/16"
INTERNAL	LENGTH	2,592	mm	8' 6 1/8"	
	WIDTH	2,112	mm	6' 11 1/8"	
	HEIGHT	2,107	mm	6' 10 15/16"	
DOOR OPENING	WIDTH	2,106	+0 -5mm	6' 10 15/16"	
	HEIGHT	1,996	+0 -5mm	6' 9 9/16"	
INTERNAL CUBIC CAPACITY		11.5	CU.m	407	CU.ft
MAXIMUM GROSS WEIGHT		6,000	kg	13,230	lb
TARE WEIGHT		1,130	kg	2,490	lb
MAXIMUM PAYLOAD		4,870	kg	10,740	lb

DRAWING NO.	DESCRIPTION	REMARK
RXTY-09HG-2A-100A	BASE ASSEMBLY	
RXTY-09HG-2A-200A	DOOR ASSEMBLY	
RXTC-09ITX-300H	ROOF ASSEMBLY	
RXTY-09HG-2A-400A	SIDE ASSEMBLY	R/H:1 L/H:1
RXTY-09HG-2A-500A	FRONT ASSEMBLY	

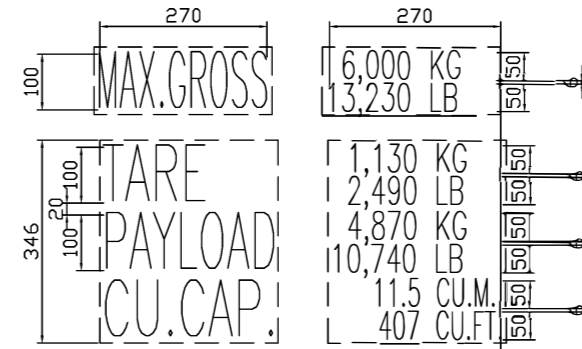
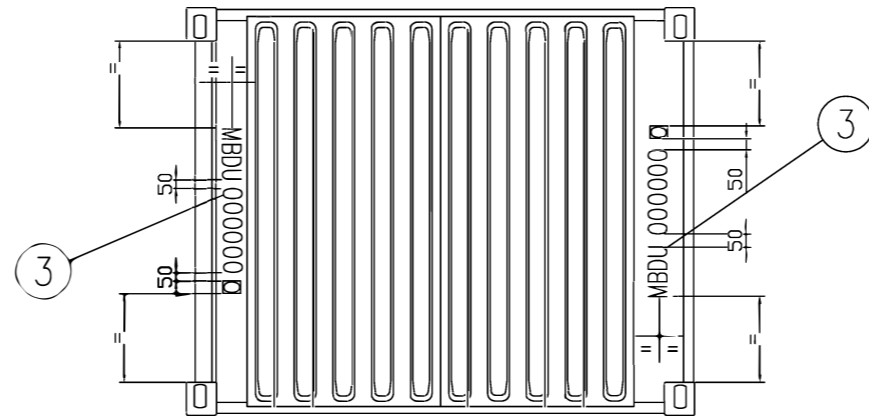
MARK	QTY	REV.	FILE NO.	SIGNATURE	DATE
DESIGNED					
CHECKED					2023.05.09

TITLE:		OWNER
GENERAL ASSEMBLY		TYPE 9'x2200x2400
总图		WT(KG) SCALE

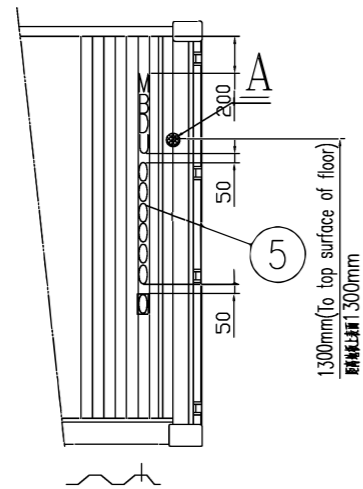
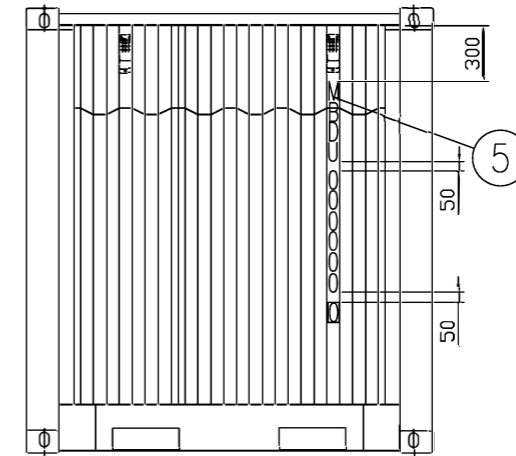
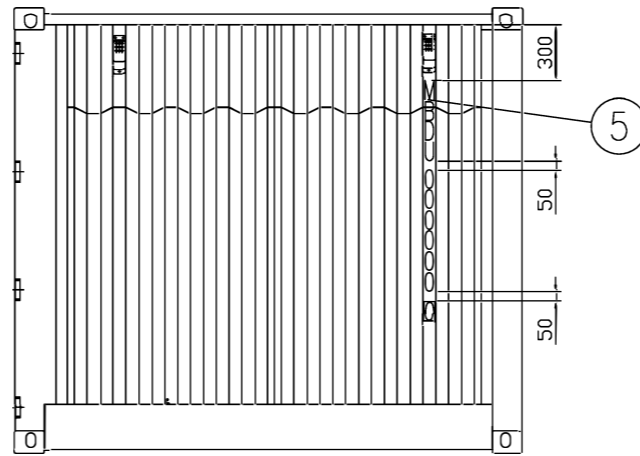
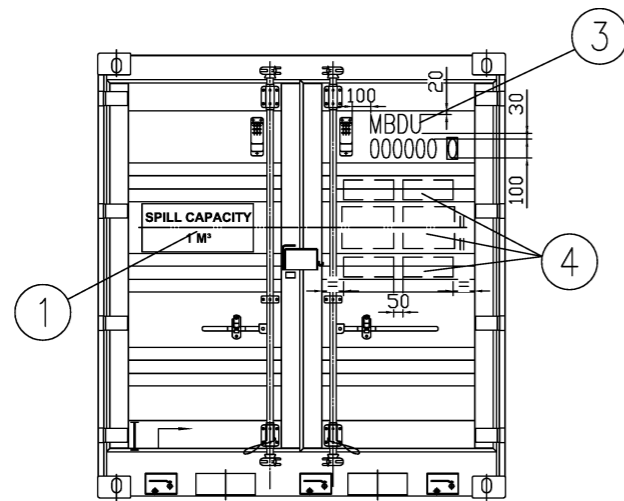
DRAWING NO.	
09HG-2A-000A	



1 DETAIL

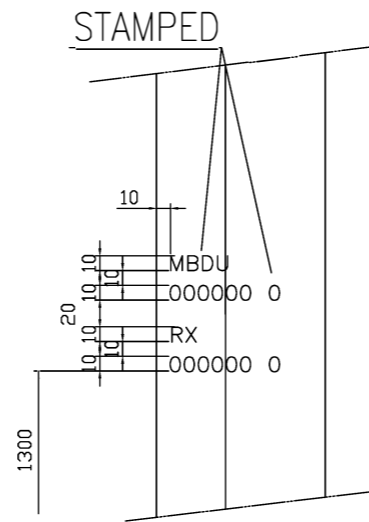


4 DETAIL

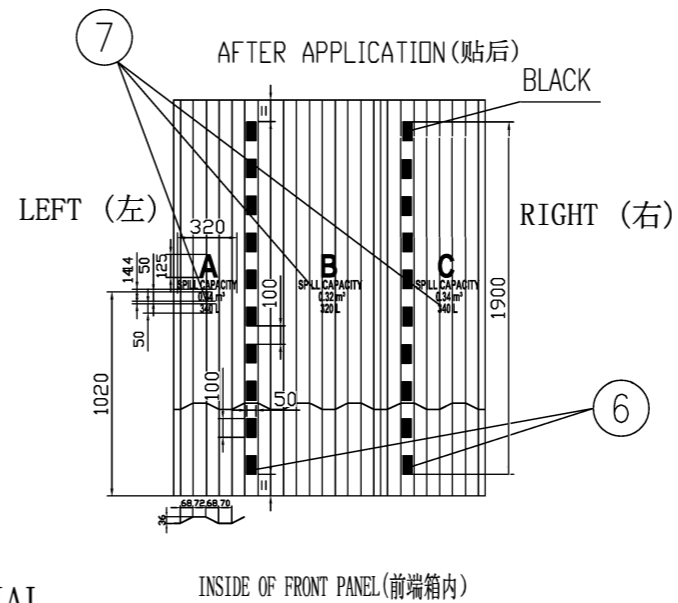


RIGHT WALL-REAR INSIDE MARKING

右侧壁内部标志



STAMPED OF OWNER AND MFR'S SERIAL NO. ON INSIDE RIGHT REAR CORNER POST 箱主和制造厂号打在右后角柱内



7		CAPACITY MARK	容量标	1	DECAL KISSCUT	BLACK
6			分票码标	1	DECAL KISSCUT	BLACK
5		OWNER'S CODE SERIAL NO.	箱号标	4	DECAL KISSCUT	WHITE
4		WEIGHT & CAPACITY MARK	重量、容量标	1	DECAL KISSCUT	WHITE
3		OWNER'S CODE SERIAL NO.	箱号标	3	DECAL KISSCUT	WHITE
2						
1		CAPACITY MARK	容量标	1	DECAL	BLACK ON YELLOW
ITEM NO.	DRAWING NO.	DESCRIPTION	CHINSIS	QTY	MATERIAL (SIZE)	REMARK
		TITLE:				OWNER
		MARKING DRAWING				TYPE
		标志图				9'x2200x2400
					WT(KG)	SCALE
DESIGNED	APPROVED	DRAWING NO.				
CHECKED	DATE	09HG-2A-700(MBDU)				
		2023.05.09				