

MODALART SHIPPING CONTAINERS

# HEAVY DUTY CASTER WHEELS

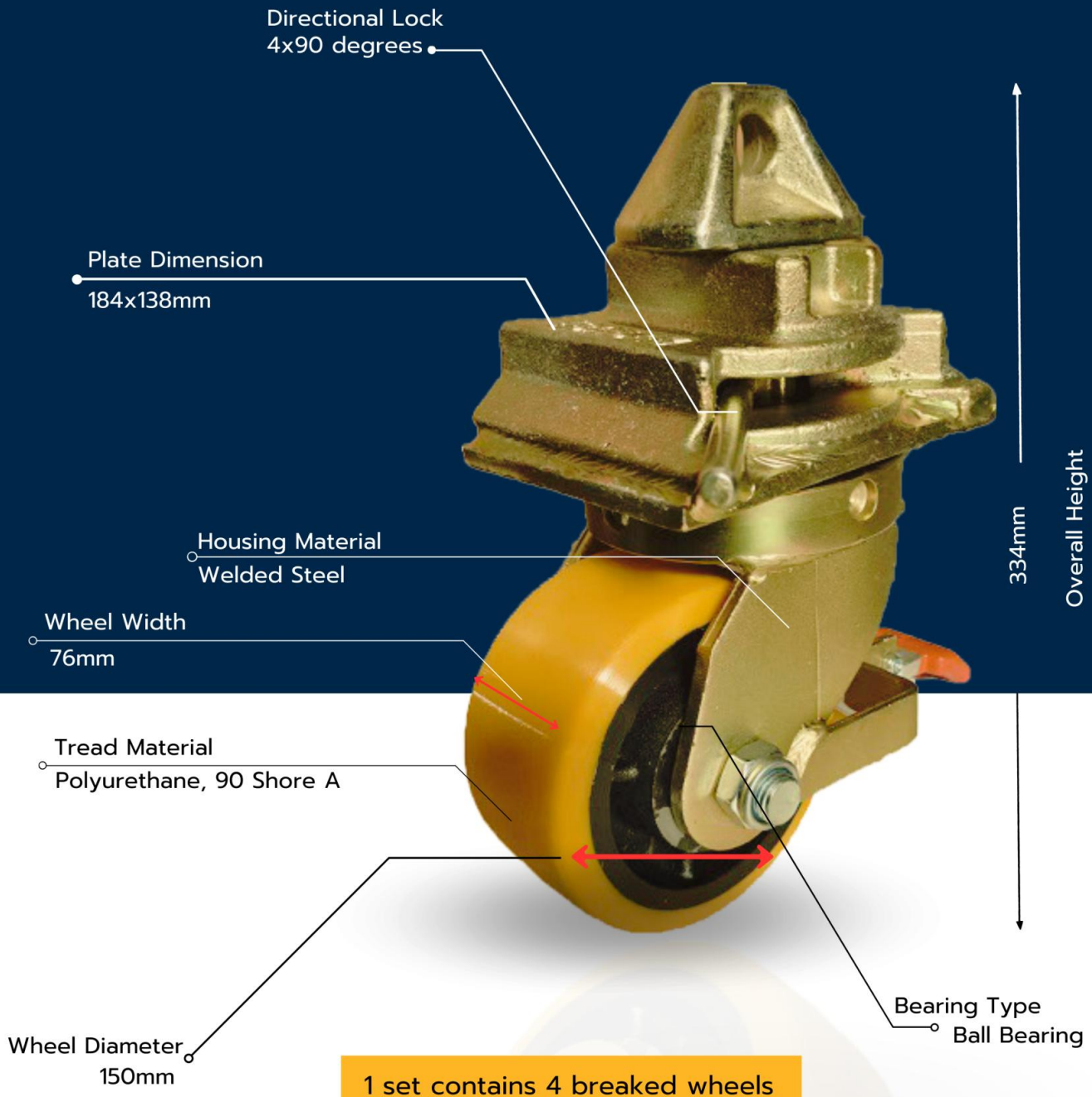
# INTRODUCING THE LATEST GENERATION OF HEAVY DUTY SHIPPING CONTAINER CASTER WHEELS - WHERE DURABILITY MEETS MOBILITY

Engineered for superior performance, our casters are built to endure the heaviest loads and toughest conditions. Featuring a **robust twistlock system** for

- unmatched stability,
- **enhanced maneuverability** for seamless navigation, and an
- **effortless installation process**

Our casters are designed to keep you moving efficiently and reliably.

# COMPACT SPECIFICATIONS



Static load capacity (per set)

**7,200 KG**



Dynamic load capacity (per set)

**5,400 KG**



# COMPACT

## Set of 4 ISO Shipping Container Casters

- **Size:** Ø 150 x 76 mm
- **Features:** ISO lock, directional lock, and brake



Perfect for lighter-duty applications, these casters handle dynamic loads up to **5,400 KG**. Easily mounted under ISO container corners, each caster secures firmly with a twistlock.

### Durable Design

- **Treads:** High-quality polyurethane (95A Shore hardness) bonded to galvanized cast iron cores
- **Bearings:** 6205 2RS ball bearings for smooth, effortless movement
- **Load Capacity:** Supports up to **1,800 KG static load per wheel**

These casters protect floors and ensure smooth rolling on indoor and outdoor surfaces.

# DYNAMIC PRO

Contains 1 positioning bar

Plate Dimension  
240x190.5mm

Housing Material  
Welded Steel

Extra support wheel

Directional Lock  
4x90 degrees

Wheel Width  
2x73mm

461.5mm

Overall Height

Tread Material  
Polyurethane, 90 Shore A

Wheel Diameter  
2 x 250mm

Bearing Type  
Ball Bearing

1 set contains 4 breaked wheels

Static load capacity (per set)

**18,000 KG**



Dynamic load capacity (per set)

**13,500 KG**



# DYNAMIC PRO

## Set of 4 ISO Shipping Container Casters

- **Size:** Ø 250 x 73 mm
- **Features:** Side-lock mechanism, directional lock, and brakes



Engineered for heavy-duty applications, these casters handle dynamic loads up to **13,500 KG** and static loads up to **18,000 KG**. They attach securely to ISO container corners using a twistlock system for easy installation.

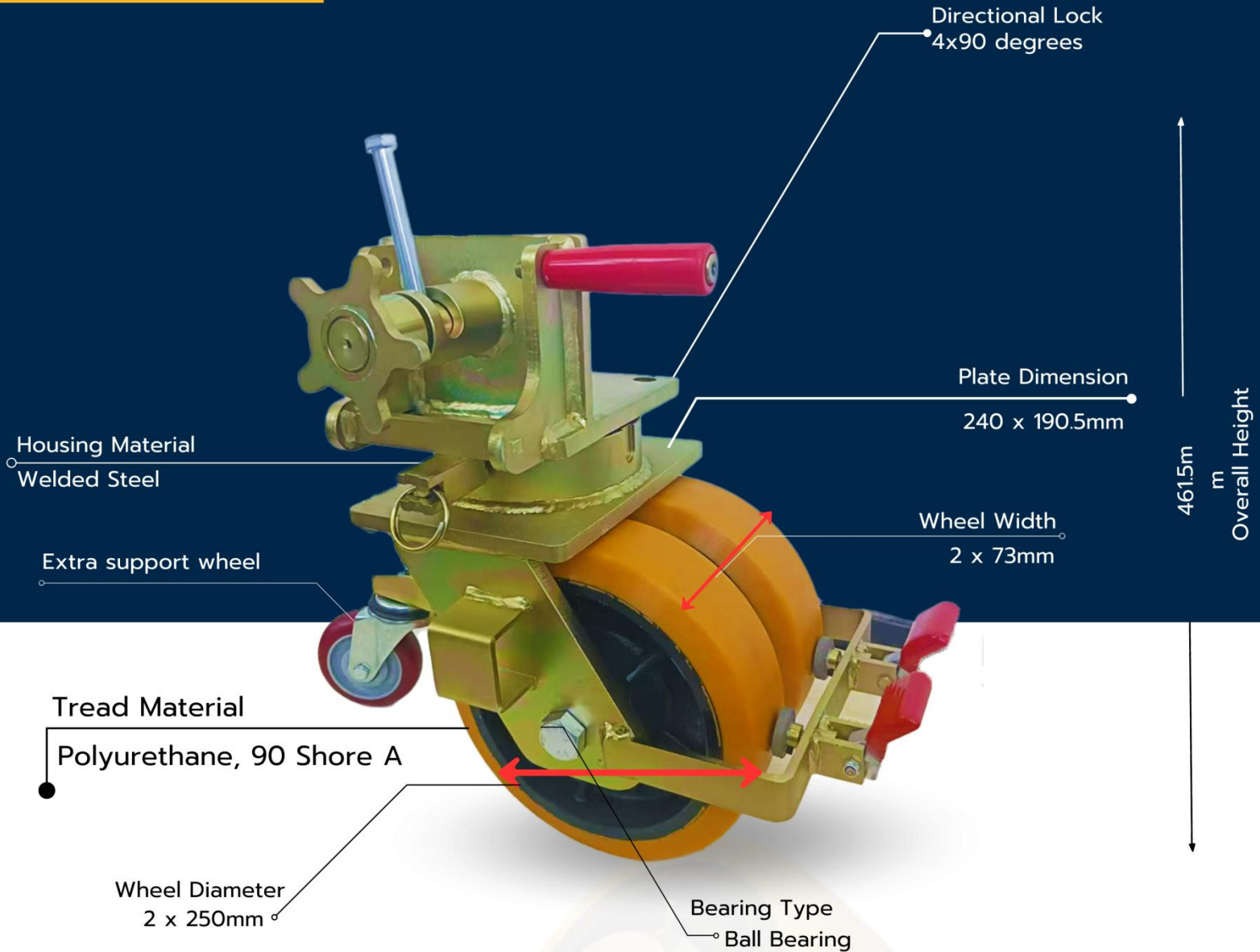
### Advanced Design

- **Dual Wheels:** Cast iron cores with polyurethane treads for low rolling resistance
- **Support Wheel:** A third wheel enhances stability and positioning under the container

Built for reliability and efficiency, these casters ensure smooth mobility and secure handling for demanding operations.

# DYNAMIC PRO SL (SIDE LOCK)

Contains 1 positioning bar



1 set contains 4 broken wheels

Static load capacity (per set)

**18,000 KG**



Dynamic load capacity (per set)

**13,500 KG**



# DYNAMIC PRO SL (SIDE LOCK)

## Set of 4 ISO Shipping Container Casters

- **Size:** Ø 250 x 73 mm
- **Features:** ISO lock, directional lock, and brakes



Designed for extreme-duty applications, these advanced casters support dynamic loads up to **13,500 KG** and static loads up to **18,000 KG**, offering exceptional stability and mobility.

### Enhanced Performance

- **Dual Wheels:** Cast iron cores with polyurethane treads for minimal rolling resistance and durability
- **Support Wheel:** A third wheel ensures precise alignment and stability under the container
- **Secure Mounting:** Attaches easily to container corners with a twistlock system



## ModalART Shipping Containers

### Container Upgrades & DIY Modification Parts

203 570 0150

info@modalart.com

<https://modalart.com>

Get pricing: <https://modalart.com/form.htm>

To place your order, simply send an email with your name, company, billing and delivery address and the quantity and type of casters you require to [info@modalart.com](mailto:info@modalart.com)

### Warehouses in the United States

#### Houston

3575 Trailmobile Dr, Houston, TX 77013

#### Los Angeles

1661 E. 32nd St. Long Beach, CA 90807

Packing details				
	Case Size	Gross Weight	Case Size	Gross Weight
	(Metric)		(Imperial)	
Compact	75x50x25 CM	90 KG	30x20x10 Inch	210 lbs
Pro	95x65x45 CM	205 KG	38x26x18 Inch	452 lbs

### About ModalART

ModalART specializes in the sales, modifications, and delivery of shipping, storage, and refrigerated containers across the USA. They offer new and used containers including cargo-worthy, watertight, and "as is" options, with sizes such as 20', 40', and 40' high cube containers. ModalART also provides customization services like painting, roll-up doors, and lock boxes, catering to specific client needs. They have a significant presence, with over 200 depots nationwide for container sales and delivery. Additionally, ModalART has ventured into hospitality solutions, offering Italian-designed canopies and event spaces for various large-scale events. The main sales office is located in New Haven, CT 06511, USA, and is open from Monday through Friday, 9:00 AM to 5:00 PM EST.